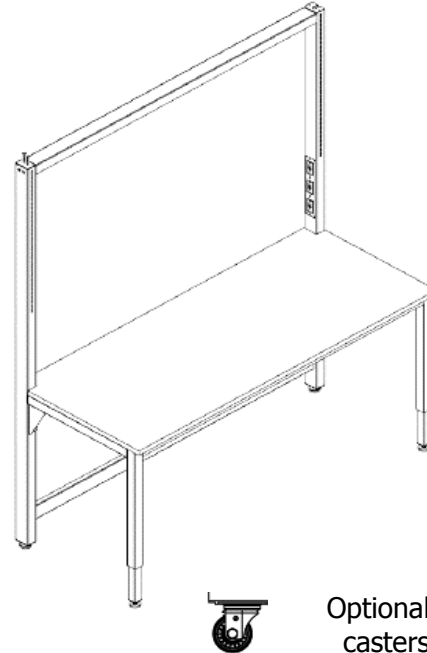


## FlexT Tables



Provincial Lab Systems offers the most adaptive **FlexT** lab table to meet today's ever changing lab functions and processes. Fixed or adjustable height tables can be outfitted with prewired service cocks, and prewired power and data outlets. These 72" high tables work well in unison with Provincial's overhead service carriers and ceiling panels.

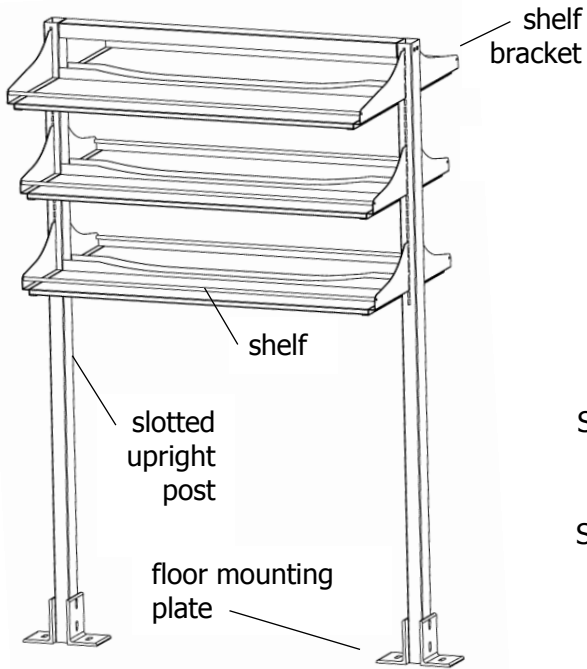
## FlexT Tables



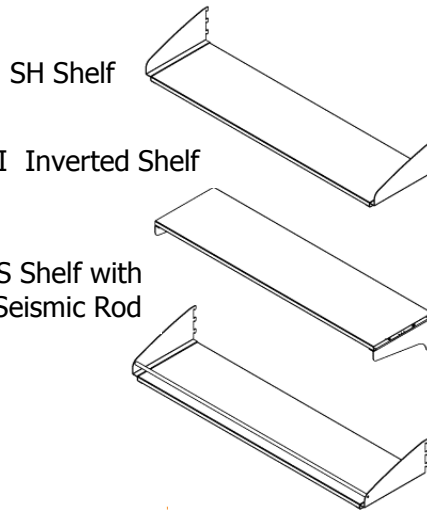
Please contact us for further information

Product #	Depth	Width	Fixed Height	Adjustable Height	Casters	Service cocks	Power/Data
<b>FLXT-244072</b>	24"	40"	<b>-FH</b>	<b>-AH</b>	<b>-C</b>	<b>-A/G/V</b>	<b>-P/D</b>
<b>FLXT-244872</b>	24"	48"	<b>-FH</b>	<b>-AH</b>	<b>-C</b>	<b>-A/G/V</b>	<b>-P/D</b>
<b>FLXT-246072</b>	24"	60"	<b>-FH</b>	<b>-AH</b>	<b>-C</b>	<b>-A/G/V</b>	<b>-P/D</b>
<b>FLXT-247272</b>	24"	72"	<b>-FH</b>	<b>-AH</b>	<b>-C</b>	<b>-A/G/V</b>	<b>-P/D</b>
<b>FLXT-248072</b>	24"	80"	<b>-FH</b>	<b>-AH</b>	<b>-C</b>	<b>-A/G/V</b>	<b>-P/D</b>
<b>FLXT-304072</b>	30"	40"	<b>-FH</b>	<b>-AH</b>	<b>-C</b>	<b>-A/G/V</b>	<b>-P/D</b>
<b>FLXT-304872</b>	30"	48"	<b>-FH</b>	<b>-AH</b>	<b>-C</b>	<b>-A/G/V</b>	<b>-P/D</b>
<b>FLXT-306072</b>	30"	60"	<b>-FH</b>	<b>-AH</b>	<b>-C</b>	<b>-A/G/V</b>	<b>-P/D</b>
<b>FLXT-307272</b>	30"	72"	<b>-FH</b>	<b>-AH</b>	<b>-C</b>	<b>-A/G/V</b>	<b>-P/D</b>
<b>FLXT-308072</b>	30"	80"	<b>-FH</b>	<b>-AH</b>	<b>-C</b>	<b>-A/G/V</b>	<b>-P/D</b>
<b>FLXT-364072</b>	36"	40"	<b>-FH</b>	<b>-AH</b>	<b>-C</b>	<b>-A/G/V</b>	<b>-P/D</b>
<b>FLXT-364872</b>	36"	48"	<b>-FH</b>	<b>-AH</b>	<b>-C</b>	<b>-A/G/V</b>	<b>-P/D</b>
<b>FLXT-366072</b>	36"	60"	<b>-FH</b>	<b>-AH</b>	<b>-C</b>	<b>-A/G/V</b>	<b>-P/D</b>
<b>FLXT-367272</b>	36"	72"	<b>-FH</b>	<b>-AH</b>	<b>-C</b>	<b>-A/G/V</b>	<b>-P/D</b>
<b>FLXT-368072</b>	36"	80"	<b>-FH</b>	<b>-AH</b>	<b>-C</b>	<b>-A/G/V</b>	<b>-P/D</b>

## Floor Island Shelving Frames



Adjustable island shelves are mounted on painted metal single post members with slotted uprights and are anchored to floor and up through the work surface.



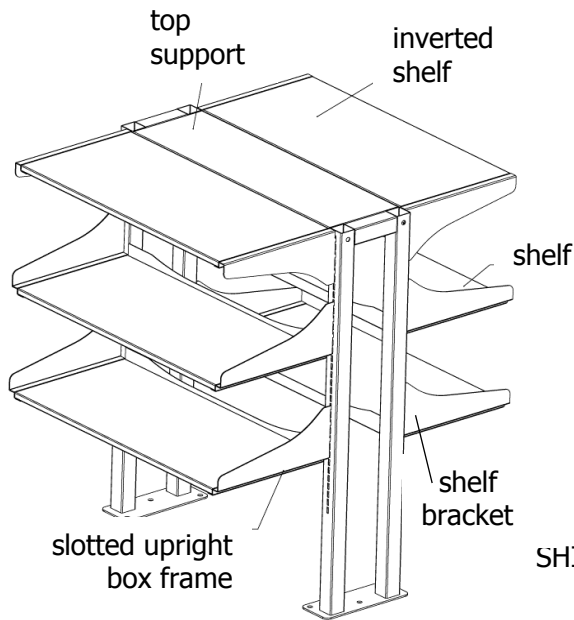
### Floor Island Shelving Frames

12" deep x 36" wide shelves are standard other sizes are available

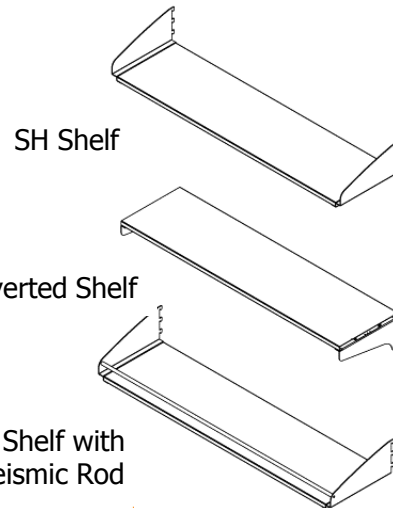
Please contact us for further information

Product #	Bays	Length	Height	Total Shelves	12" shelf	12" shelf seismic	12" inv shelf
<b>FISF-363672</b>	1	36"	72"	4	<b>-SH12</b>	<b>-SHS12</b>	<b>-ISH12</b>
<b>FISF-723672</b>	2	72"	72"	8	<b>-SH12</b>	<b>-SHS12</b>	<b>-ISH12</b>
<b>FISF-1083672</b>	3	108"	72"	12	<b>-SH12</b>	<b>-SHS12</b>	<b>-ISH12</b>
<b>FISF-1443672</b>	4	144"	72"	16	<b>-SH12</b>	<b>-SHS12</b>	<b>-ISH12</b>
<b>FISF-363684</b>	1	36"	84"	6	<b>-SH12</b>	<b>-SHS12</b>	<b>-ISH12</b>
<b>FISF-723684</b>	2	72"	84"	12	<b>-SH12</b>	<b>-SHS12</b>	<b>-ISH12</b>
<b>FISF-1083684</b>	3	108"	84"	18	<b>-SH12</b>	<b>-SHS12</b>	<b>-ISH12</b>
<b>FISF-1443684</b>	4	144"	84"	24	<b>-SH12</b>	<b>-SHS12</b>	<b>-ISH12</b>

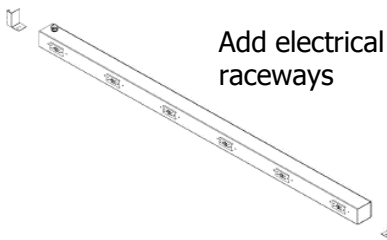
## Counter Island Shelving Frames



Retrofit an existing island bench with adjustable island shelves mounted on painted metal double post frame members with slotted uprights anchored to the existing work surface



### Counter Island Shelving Frames



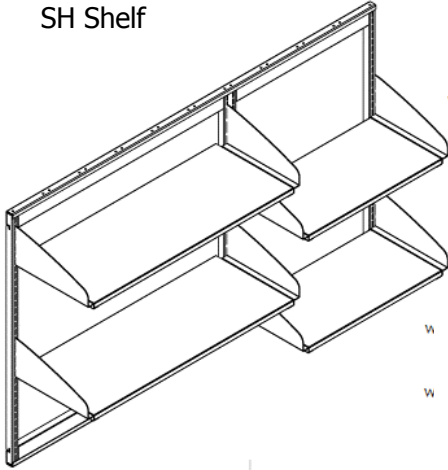
12" deep x 36" wide shelves are standard other sizes are available

Please contact us for further information

Product #	Bays	Length	Height	Total Shelves	12" shelf	12" shelf seismic	12" inv shelf
<b>CISF-3636</b>	1	36"	36"	4	<b>-SH12</b>	<b>-SHS12</b>	<b>-ISH12</b>
<b>CISF-7236</b>	2	72"	36"	8	<b>-SH12</b>	<b>-SHS12</b>	<b>-ISH12</b>
<b>CISF-10836</b>	3	108"	36"	12	<b>-SH12</b>	<b>-SHS12</b>	<b>-ISH12</b>
<b>CISF-14436</b>	4	144"	36"	16	<b>-SH12</b>	<b>-SHS12</b>	<b>-ISH12</b>
<b>CISF-3648</b>	1	36"	48"	6	<b>-SH12</b>	<b>-SHS12</b>	<b>-ISH12</b>
<b>CISF-7248</b>	2	72"	48"	12	<b>-SH12</b>	<b>-SHS12</b>	<b>-ISH12</b>
<b>CISF-10848</b>	3	108"	48"	18	<b>-SH12</b>	<b>-SHS12</b>	<b>-ISH12</b>
<b>CISF-14448</b>	4	144"	48"	24	<b>-SH12</b>	<b>-SHS12</b>	<b>-ISH12</b>

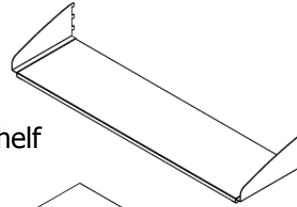
# Wall Shelving

SH Shelf

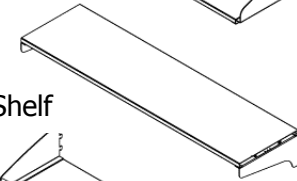


Adjustable wall shelves are mounted on painted metal cross members and slotted uprights

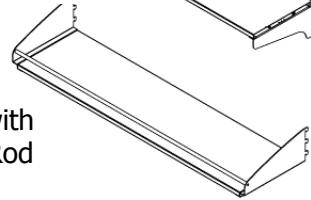
SH Shelf



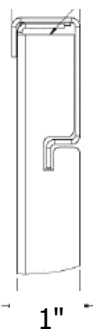
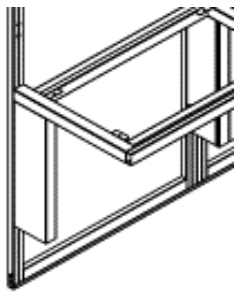
SHI Inverted Shelf



SHS Shelf with Seismic Rod



## Adjustable Wall Shelving Frames



Vertical uprights hung from horizontal channels

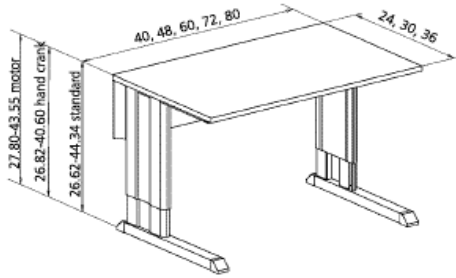
12" deep x 36" wide shelves are standard other sizes are available

Please contact us for further information

Product #	Bays	Length	Height	Total Shelves	12" shelf	12" shelf seismic
<b>AWSF-3636</b>	1	36"	36"	2	<b>-SH12</b>	<b>-SHS12</b>
<b>AWSF-7236</b>	2	72"	36"	4	<b>-SH12</b>	<b>-SHS12</b>
<b>AWSF-10836</b>	3	108"	36"	5	<b>-SH12</b>	<b>-SHS12</b>
<b>AWSF-14436</b>	4	144"	36"	8	<b>-SH12</b>	<b>-SHS12</b>
<b>AWSF-3648</b>	1	36"	48"	3	<b>-SH12</b>	<b>-SHS12</b>
<b>AWSF-7248</b>	2	72"	48"	6	<b>-SH12</b>	<b>-SHS12</b>
<b>AWSF-10848</b>	3	108"	48"	8	<b>-SH12</b>	<b>-SHS12</b>
<b>AWSF-14448</b>	4	144"	48"	12	<b>-SH12</b>	<b>-SHS12</b>
<b>AWSF-3684</b>	1	36"	84"	5	<b>-SH12</b>	<b>-SHS12</b>
<b>AWSF-7284</b>	2	72"	84"	10	<b>-SH12</b>	<b>-SHS12</b>
<b>AWSF-10884</b>	3	108"	84"	15	<b>-SH12</b>	<b>-SHS12</b>
<b>AWSF-14484</b>	4	144"	84"	20	<b>-SH12</b>	<b>-SHS12</b>

FLEXIBLE FURNITURE SYSTEMS

## Workstation Frames



Workstation Frames are designed for laboratory environments where ergonomic qualities are the most important requirement. The Workstation adapts to the work process and the needs of the operator.

The user's performance and productivity are increased due to the flexibility and adaptability to changes within the lab environment. The tables are available in 3 widths and are also available in hand crank and motorized versions.

### Adjustable Height Workstation Frames

Please contact us for further information



Hand Crank Adjustment



Motorized Height Adjustment



Casters

Product #	Width	Length	Manual Adjustment	Hand Crank	Motorized	Casters
<b>AHWF-2440</b>	24"	40"	<b>-MA</b>	<b>-HC</b>	<b>-HC</b>	<b>-C</b>
<b>AHWF-2448</b>	24"	48"	<b>-MA</b>	<b>-HC</b>	<b>-HC</b>	<b>-C</b>
<b>AHWF-2460</b>	24"	60"	<b>-MA</b>	<b>-HC</b>	<b>-HC</b>	<b>-C</b>
<b>AHWF-2472</b>	24"	72"	<b>-MA</b>	<b>-HC</b>	<b>-HC</b>	<b>-C</b>
<b>AHWF-2480</b>	24"	80"	<b>-MA</b>	<b>-HC</b>	<b>-HC</b>	<b>-C</b>
<b>AHWF-3040</b>	30"	40"	<b>-MA</b>	<b>-HC</b>	<b>-HC</b>	<b>-C</b>
<b>AHWF-3048</b>	30"	48"	<b>-MA</b>	<b>-HC</b>	<b>-HC</b>	<b>-C</b>
<b>AHWF-3060</b>	30"	60"	<b>-MA</b>	<b>-HC</b>	<b>-HC</b>	<b>-C</b>
<b>AHWF-3072</b>	30"	72"	<b>-MA</b>	<b>-HC</b>	<b>-HC</b>	<b>-C</b>
<b>AHWF-3080</b>	30"	80"	<b>-MA</b>	<b>-HC</b>	<b>-HC</b>	<b>-C</b>
<b>AHWF-3640</b>	36"	40"	<b>-MA</b>	<b>-HC</b>	<b>-HC</b>	<b>-C</b>
<b>AHWF-3648</b>	36"	48"	<b>-MA</b>	<b>-HC</b>	<b>-HC</b>	<b>-C</b>
<b>AHWF-3660</b>	36"	60"	<b>-MA</b>	<b>-HC</b>	<b>-HC</b>	<b>-C</b>
<b>AHWF-3672</b>	36"	72"	<b>-MA</b>	<b>-HC</b>	<b>-HC</b>	<b>-C</b>
<b>AHWF-3680</b>	36"	80"	<b>-MA</b>	<b>-HC</b>	<b>-HC</b>	<b>-C</b>

## Overhead Service Carrier



Overhead Service Carriers are manufactured of painted steel and are designed for overhead services rather than occupying valuable work surface areas. Located above carts and workstations, lab flexibility is easily achieved. Extraction arms can also be mounted to the underside of the carrier. The overhead carriers can be custom designed to suit to suit the necessary services required for your project.

Please contact us for further information

Product #	Columns	Length	Quick Connects	Data/ Power
<b>OHSC-2-48</b>	1	4 ft	4	6
<b>OHSC-2-96</b>	2	8 ft	8	12
<b>OHSC-3-144</b>	3	12 ft	12	18
<b>OHSC-4-192</b>	4	16 ft	16	24

Extraction arms offer a number of hood types to suit the user's needs



## Overhead Service Panels



Ceiling Service Panels are manufactured of painted steel and take the place of a ceiling tile. They are pre-punched for quick connects and electrical services and can be modified to suit the necessary services required for your project. Fixtures must be ordered separately.

Please contact us for further information

Product #	Width	Length	Quick Connects	Data/ Power
<b>OHSP-2424</b>	2 ft	2 ft	4	4
<b>OHSP-2448</b>	2 ft	4 ft	8	8

# Painted Metal Colour Chart

## Painted Metal Casework and Fume Hood Colour Chart

These reproductions of Provincial Lab System's standard Painted Metal Casework and Fume Hood Colours may vary slightly from the finished products.

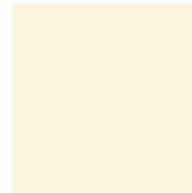
Please contact Provincial Lab Systems if you require physical metal samples.



Off White



Champagne



Light Almond



Model Gray



Fawn Beige



Medium Blue



Black



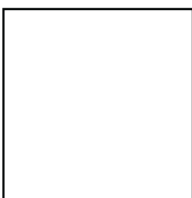
Banker's Gray



Hunter Green



Burgundy



Petal White



Wedgewood Blue



Stone Gray



Pewter